

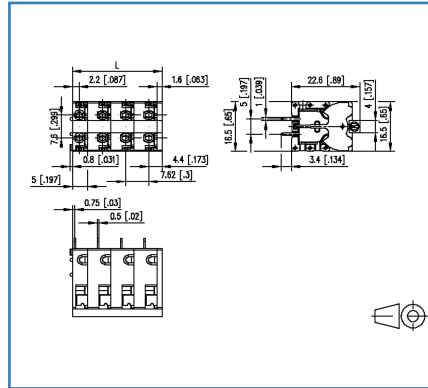
Data sheet

ST108xxVDNN AST108

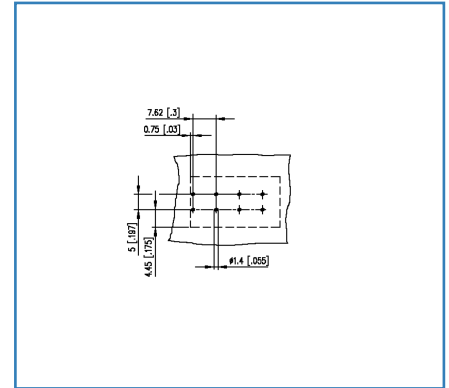
Illustrations



Dimensional drawing



Drill pattern



See enlarged drawings at the end of document

Product specification

- spring clamp terminal block, solderable, double solder pins
- centerline 7.62 mm, direction of connection vertical 0°
- color gray
- push-button, double solder pins

Technical Data



General Data

Solder pin length	3.4 mm		
min. number of poles	2		
max. number of poles	12		
Insulating material class	CTI 600		
clearance/creepage dist.	7.12 mm		
protection category	IP20		
Min. insul. strip length	15 mm		
Overvoltage category	III	III	II
Pollution degree	3	2	2
Rated voltage	160 V	400 V	400 V
Rated test voltage	2.5 kV	2.5 kV	2.5 kV

Connection Data

rat.wiring solid AWGmax	0.2 mm ² - 2.5 mm ² / AWG 28 - AWG 12		
rat.wiring strand.AWGmax	0.2 mm ² - 2.5 mm ² / AWG 28 - AWG 12		

Approvals

 V / A / AWG	600 / 15 / 28 - 12		
approval UL - File No.	E121004		
 1 mm ²	250 V / 13.5 A / 13.5A / T60		

Material

insulating material	PA66
flammability class	V0
spring material	Spring steel
contact material	CuSn
contact surface	Sn
Glow-Wire Flammability GWFI	960 °C acc. to IEC 60695-2-12
Glow-Wire Flammability GWIT	775 °C acc. to IEC 60695-2-13
REACH - substance (SVHC)	none

Climatic Data

upper limit temperature	105 °C
lower limit temperature	-40 °C

General

Tolerance	ISO 2768 -mH
-----------	--------------

Data sheet
ST108xxVDNN AST108

Page 3/5

P/N
AST108xx
xx=number of poles
2019/10/30
Version: T**Technical Data**

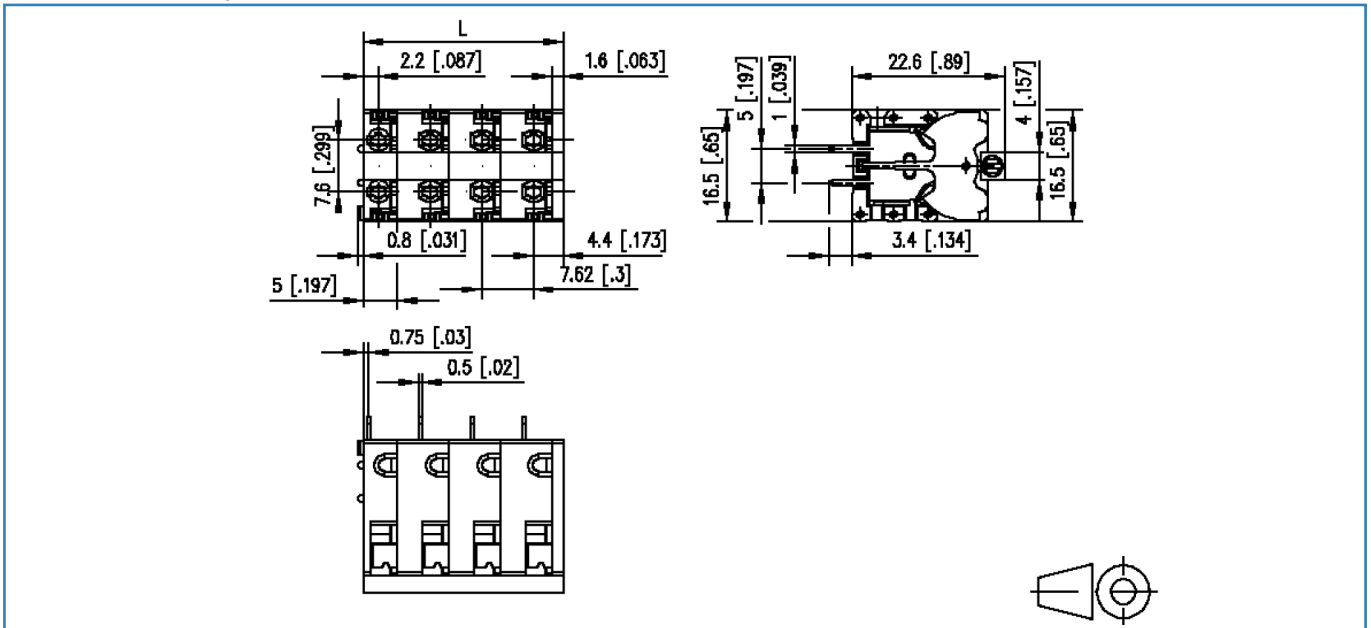
Solderability

Acc. to JEDEC JESD22-B102E 245°C/5s



Illustrations

Dimensional drawing



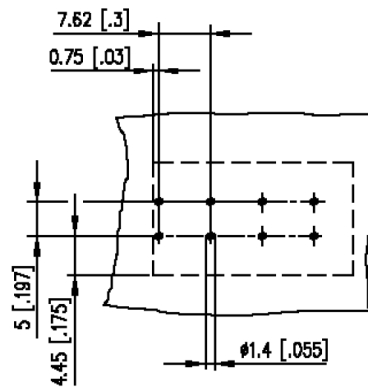
$L = (\text{pole size} - 1) \times \text{centerline} + 6.6 \text{ mm} [0.26]$

© 2019 METZ CONNECT - Technische Änderungen vorbehalten! Subject to modifications! Sous réserve de modifications techniques!



Illustrations

Drill pattern



© 2019 METZ CONNECT - Technische Änderungen vorbehalten! Subject to modifications! Sous réserve de modifications techniques!